



REPUBLIC OF THE PHILIPPINES
CIVIL AVIATION AUTHORITY OF THE PHILIPPINES

THIS DRAWING IS EXCLUSIVE PROPERTIES OF CIVIL AVIATION AUTHORITY OF THE PHILIPPINES AND MUST NOT BE REPRODUCED, EXHIBITED, LOANED NOR COPIED IN PART OR IN WHOLE WITHOUT PROPER PERMISSION AND/OR WRITTEN CONSENT FROM THE DIRECTOR GENERAL CAAP.

AERODROME DEVELOPMENT AND MANAGEMENT SERVICE
AREA-V, LEGAZPI AIRPORT

ENGINEERING & PLANNING UNIT

PREPARED BY:

Maria Ai-Aye Soledad L. Reginales
MARIA AI-AYE SOLEDAD L. REGINALES
AERODROME ENGINEER

APPROVAL RECOMMENDED BY:

Andrew N. Arsalano
ANDREW N. ARSALANO
SPM-PT-COORD

APPROVED BY:

Cynthia M. Tumanlut
CYNTHIA M. TUMANLUT
AREA AIRPORT MANAGER, AREA V
LEGAZPI AIRPORT

PROJECT:

**Improvement
of Typhoon Guards
for PTB
@ Naga Airport**

LOCATION:

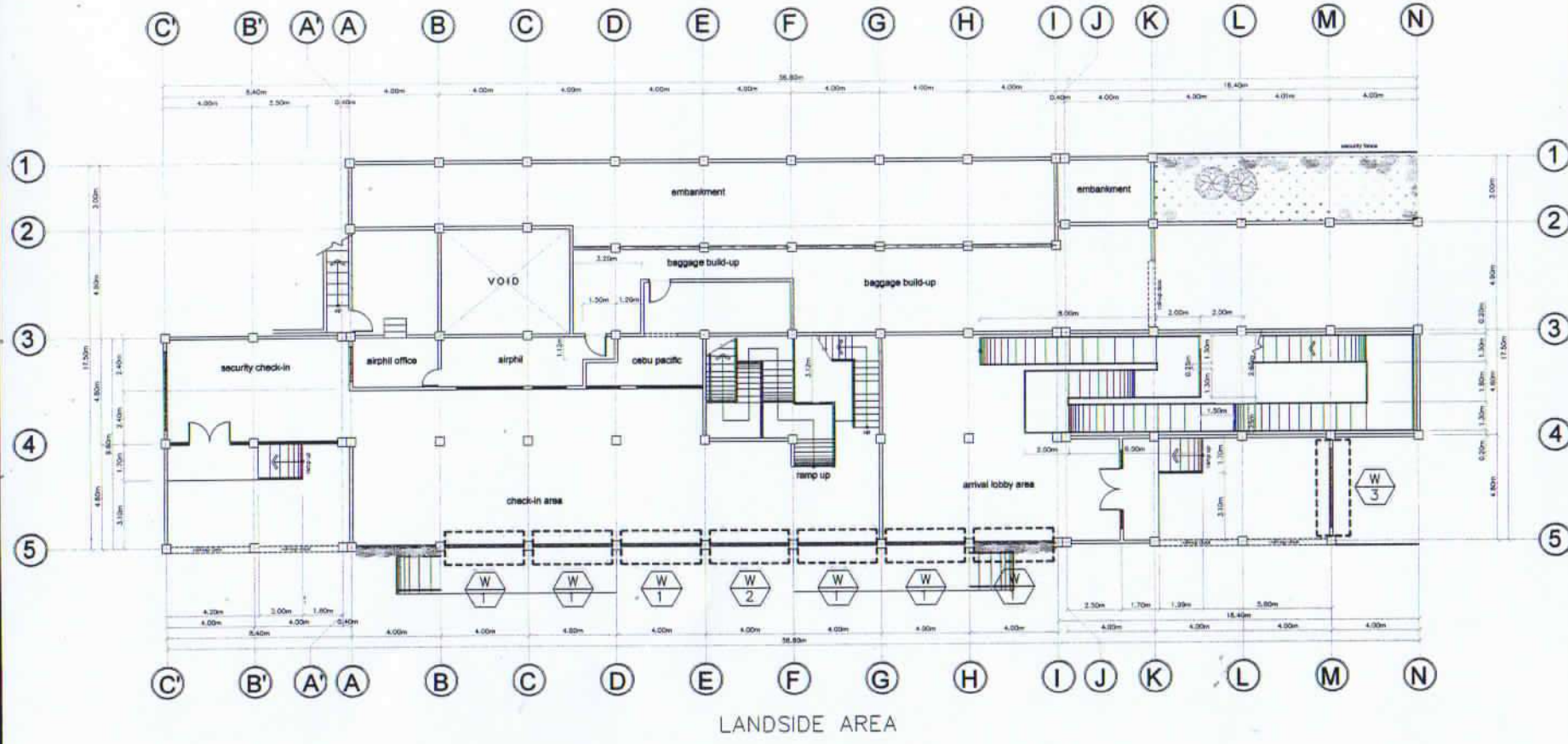
**NAGA AIRPORT
PILI, CAMARINES SUR**

CONTENT:

GROUND FLOOR PLAN

SHEET NO:

01 06



GROUND FLOOR PLAN



SCALE: NTS.

LEGEND:

TAGS	SYMBOL	DESCRIPTION
W 1		INSTALLATION OF STEEL ACCORDION FOR TYPHOON GUARD AT SECOND FLOOR WINDOWS (SEE DETAIL OF STEEL ACCORDION)



REPUBLIC OF THE PHILIPPINES
CIVIL AVIATION AUTHORITY OF THE PHILIPPINES

THIS DRAWING IS EXCLUSIVE PROPERTIES OF CIVIL AVIATION AUTHORITY OF THE PHILIPPINES AND MUST NOT BE REPRODUCED, EXHIBITED, LOANED NOR COPIED IN PART OR IN WHOLE WITHOUT PROPER PERMISSION AND/OR WRITTEN CONSENT FROM THE DIRECTOR GENERAL, CAAP.

AERODROME DEVELOPMENT AND MANAGEMENT SERVICE
AREA-V, LEGAZPI AIRPORT

ENGINEERING & PLANNING UNIT

PREPARED BY:

MARIA AI-AYE SOLEPAD I. REGINALES
AERODROME ENGINEER

APPROVAL RECOMMENDED BY:

ANDREW N. ARELLANO
EPI IN-CHARGE

APPROVED BY:

CYNTHIA M. TUMANUT
AREA/AIRPORT MANAGER, AREA V
LEGAZPI AIRPORT

PROJECT:

Improvement
of Typhoon Guards
for PTB
@ Naga Airport

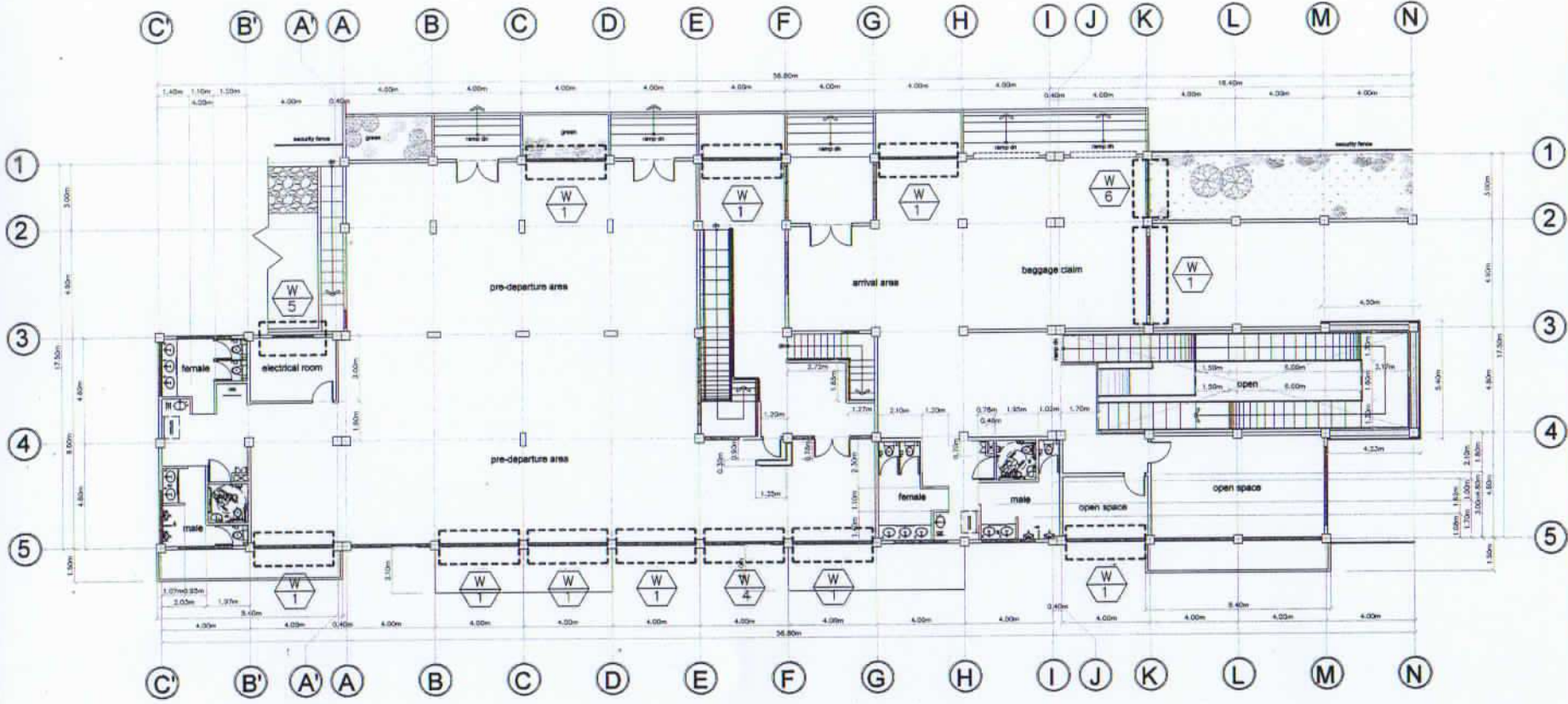
LOCATION:

NAGA AIRPORT
PLI, CAMARINES SUR

CONTENT:
*SECOND FLOOR PLAN

SHEET NO:
02 06

AIRSIDE AREA



2 SECOND FLOOR PLAN

02/06 SCALE: NTS.

LEGEND:

TAGS	SYMBOL	DESCRIPTION
W 1		INSTALLATION OF STEEL ACCORDION FOR TYPHOON GUARD AT SECOND FLOOR WINDOWS (SEE DETAIL OF STEEL ACCORDION)



REPUBLIC OF THE PHILIPPINES
CIVIL AVIATION AUTHORITY OF THE PHILIPPINES

THIS DRAWING IS EXCLUSIVE PROPERTIES OF CIVIL AVIATION AUTHORITY OF THE PHILIPPINES AND MUST NOT BE REPRODUCED, EXHIBITED, LOANED NOR COPIED IN PART OR IN WHOLE WITHOUT PROPER PERMISSION AND/OR WRITTEN CONSENT FROM THE DIRECTOR GENERAL CAAP.

AERODROME DEVELOPMENT AND MANAGEMENT SERVICE
AREA-V, LEGAZPI AIRPORT

ENGINEERING & PLANNING UNIT

PREPARED BY:

MARIA AI-AYE SOLEDAD L. REGINALES
AERODROME ENGINEER

APPROVAL RECOMMENDED BY:

ANDREW N. MELLANO
SP4 IN CHARGE

APPROVED BY:

CYNTHIA V. TUMANOG
AREA/AIRPORT MANAGER, AREA V
LEGAZPI AIRPORT

PROJECT:

Improvement
of Typhoon Guards
for PTB
@ Naga Airport

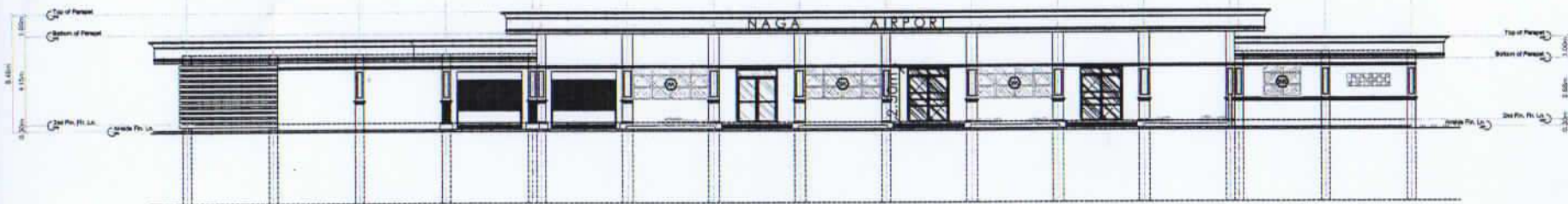
LOCATION:

NAGA AIRPORT
PILI, CAMARINES BUR

CONTENT:
AIRSIDE & RIGHT-SIDE
ELEVATION

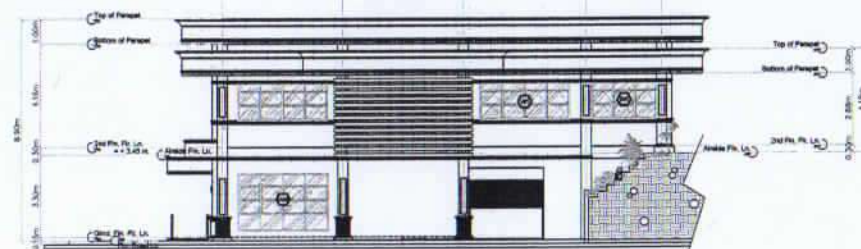
SHEET NO:
03 06

N M L K J I H G F E D C B A A' B' C'



3 AIRSIDE ELEVATION
03/06 SCALE: NTS.

5 4 3 2 1



4 RIGHT-SIDE ELEVATION
03/06 SCALE: NTS.



REPUBLIC OF THE PHILIPPINES
CIVIL AVIATION AUTHORITY OF THE PHILIPPINES

THIS DRAWING IS EXCLUSIVE PROPERTIES OF CIVIL AVIATION AUTHORITY OF THE PHILIPPINES AND MUST NOT BE REPRODUCED, EXHIBITED, LOANED NOR COPIED IN PART OR IN WHOLE WITHOUT PROPER PERMISSION AND/OR WRITTEN CONSENT FROM THE DIRECTOR GENERAL CAAP.

AERODROME DEVELOPMENT AND MANAGEMENT SERVICE
AREA-V, LEGAZPI AIRPORT

ENGINEERING & PLANNING UNIT

PREPARED BY:

MARIA AI-AYE SOLEDAD J. REGINALES
AERODROME ENGINEER

APPROVAL RECOMMENDED BY:

ANDREW N. ARELLANO
EPU IN-CHARGE

APPROVED BY:

CYNTHIA W. TUMANUNG
AREA/AIRPORT MANAGER, AREA V
LEGAZPI AIRPORT

PROJECT:

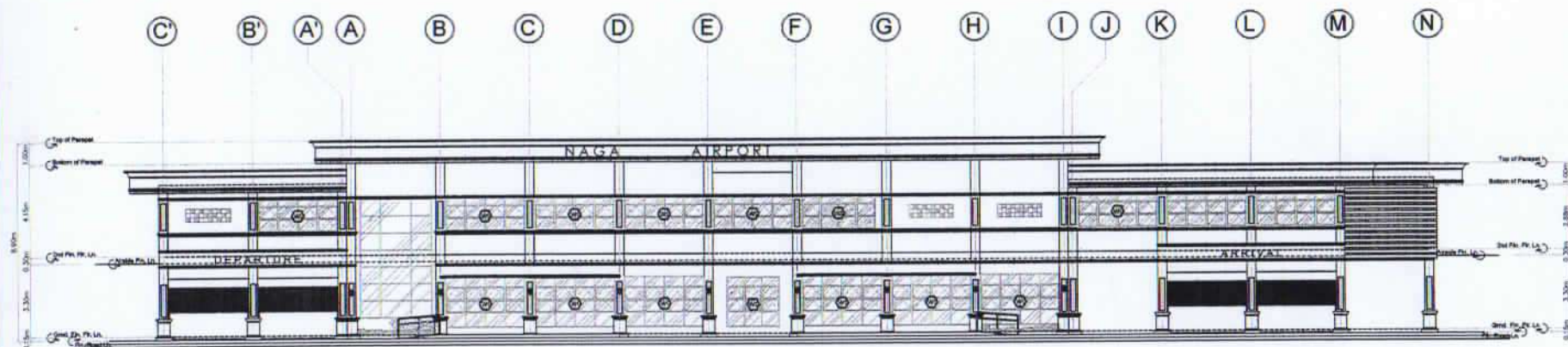
**Improvement
of Typhoon Guards
for PTB
@ Naga Airport**

LOCATION:

**NAGA AIRPORT
PILI, CAMARINES SUR**

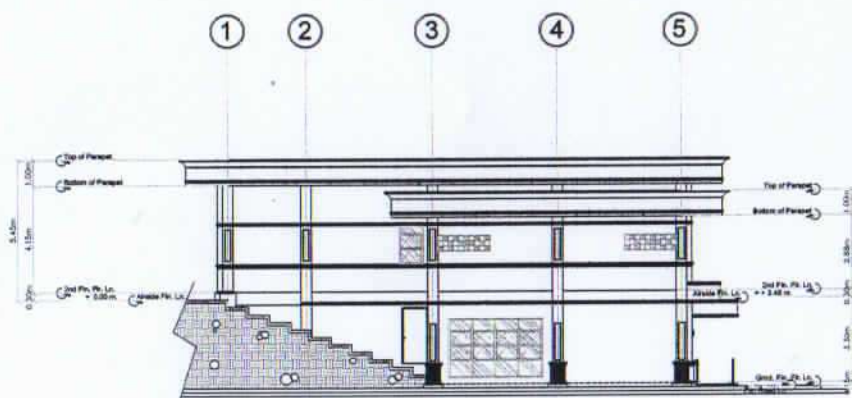
CONTENT:
LANDSIDE & LEFT-SIDE
ELEVATION

SHEET NO:
04 06



5 LANDSIDE ELEVATION

04 06 SCALE: NTS.



6 LEFT-SIDE ELEVATION

04 06 SCALE: NTS.



REPUBLIC OF THE PHILIPPINES
CIVIL AVIATION AUTHORITY OF THE PHILIPPINES

THIS DRAWING IS EXCLUSIVE PROPERTIES OF CIVIL AVIATION AUTHORITY OF THE PHILIPPINES AND MUST NOT BE REPRODUCED, EXHIBITED, LOANED NOR COPIED IN PART OR IN WHOLE WITHOUT PROPER PERMISSION AND/OR WRITTEN CONSENT FROM THE DIRECTOR GENERAL CAAP.

AERODROME DEVELOPMENT AND MANAGEMENT SERVICE
AREA-V, LEGAZPI AIRPORT

ENGINEERING & PLANNING UNIT

PREPARED BY:

MARIA AI-AYE SOLEDAD J. REGINALES
AERODROME ENGINEER

APPROVAL RECOMMENDED BY:

ANDREW N. ARELLANO
EPU IN CHARGE

APPROVED BY:

CYNTHIA W. TUMANUT
AREA/AIRPORT MANAGER, AREA V
LEGAZPI AIRPORT

PROJECT:

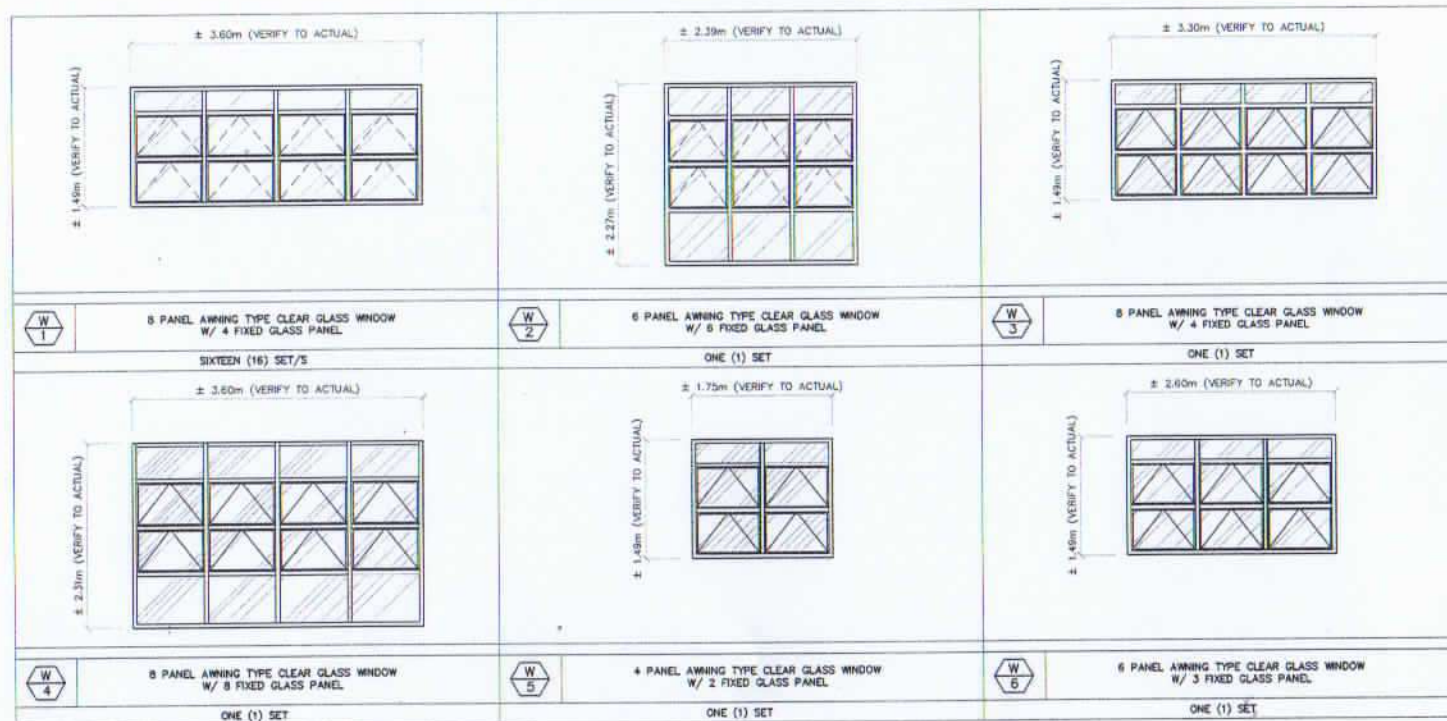
Improvement
of Typhoon Guards
for PTB
@ Naga Airport

LOCATION:

HAGA AIRPORT
PIL, CAMARINES SUR

CONTENT:
WINDOW ELEVATIONS

SHEET NO:
05 06



7 WINDOW ELEVATION
 05 06 SCALE: NTS.



REPUBLIC OF THE PHILIPPINES
CIVIL AVIATION AUTHORITY OF THE PHILIPPINES

THIS DRAWING IS EXCLUSIVE PROPERTIES OF CIVIL AVIATION AUTHORITY OF THE PHILIPPINES AND MUST NOT BE REPRODUCED, EXHIBITED, LOANED NOR COPIED IN PART OR IN WHOLE WITHOUT PROPER PERMISSION AND/OR WRITTEN CONSENT FROM THE DIRECTOR GENERAL CAAP.

AERODROME DEVELOPMENT AND MANAGEMENT SERVICE
AREA-V, LEGAZPI AIRPORT

ENGINEERING & PLANNING UNIT

PREPARED BY:

[Signature]
MARIA AI-AYE SOLEDAD I. REGINALES
AERODROME ENGINEER

APPROVAL RECOMMENDED BY:

[Signature]
ANDREW N. ARELLANO
EPU IN CHARGE

APPROVED BY:

[Signature]
CYNTHIA M. TUMANUT
AREA/AIRPORT MANAGER, AREA V
LEGAZPI AIRPORT

PROJECT:

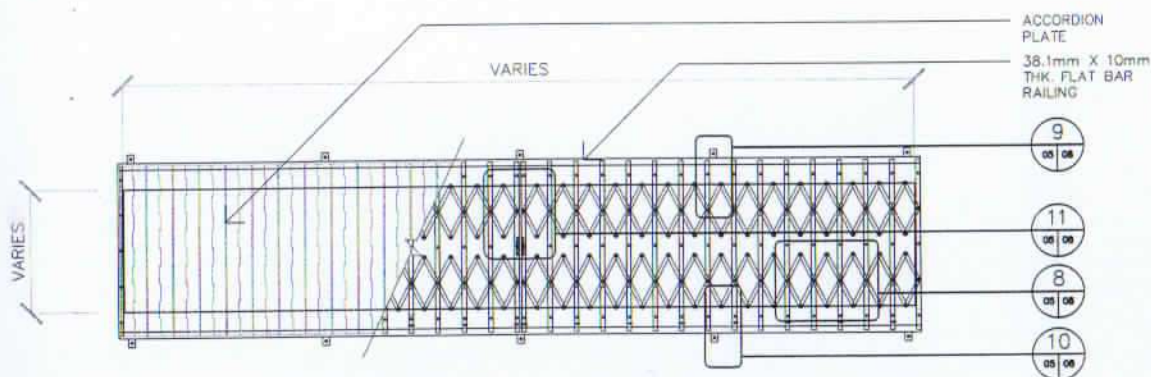
**Improvement
of Typhoon Guards
for PTB
@ Naga Airport**

LOCATION:

**NAGA AIRPORT
PILI, CAMARINES SUR**

CONTENT:
*DETAIL OF STEEL
ACCORDION
(WINDOW TYPHOON GUARD)

SHEET NO:
06 06

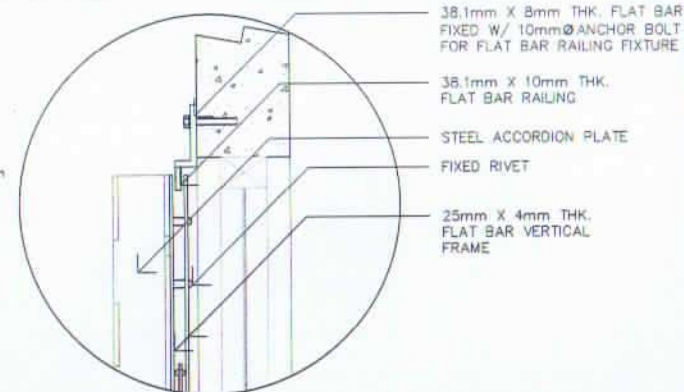


PTB WINDOW TYPHOON GUARD
TYPICAL DETAIL OF STEEL ACCORDION

8
06/06

SCALE:

NTS.

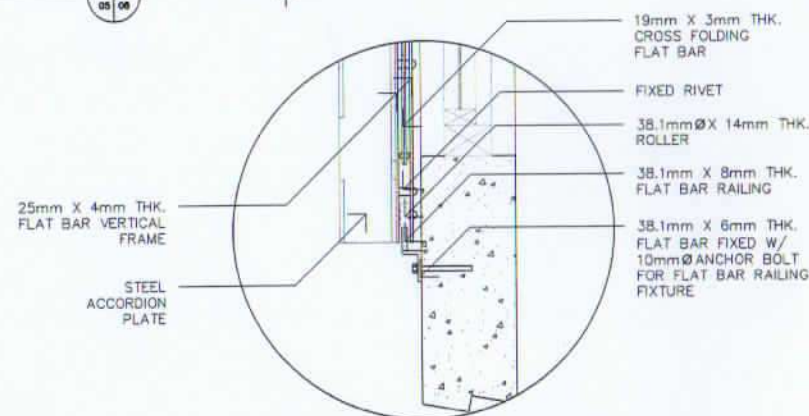


DETAIL OF TOP CONNECTION

10
06/06

SCALE:

NTS.

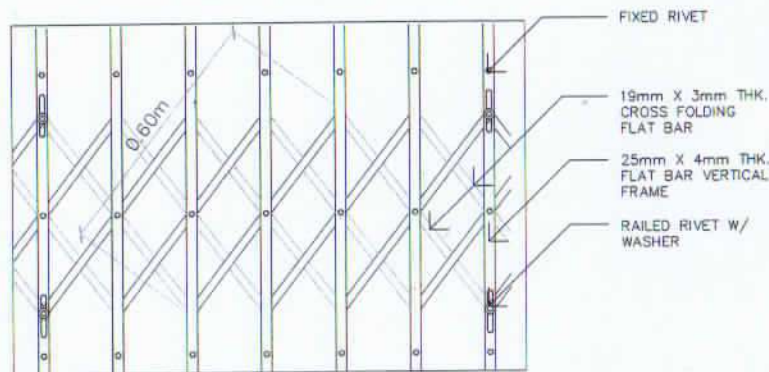


DETAIL OF BOTTOM CONNECTION

11
06/06

SCALE:

NTS.



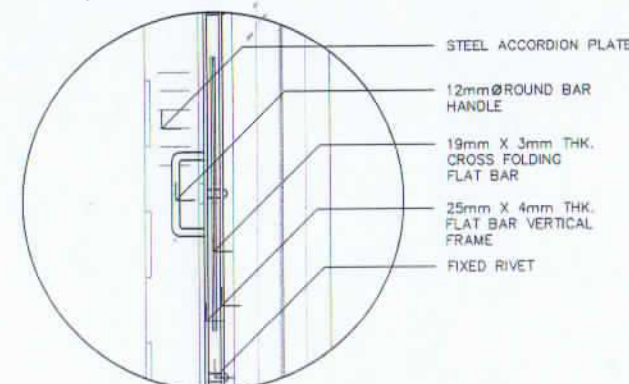
SCALE:

DETAIL OF METAL FOLDING FRAME

9

06/06

NTS.



BLOW-UP SIDE ELEVATION

12
06/06

SCALE:

NTS.